

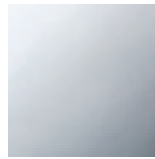


Bathtub - CL.1

WATER SHEET Cascade spout for wall-mounted installation - polished chrome

Article number: 13 415 979-00

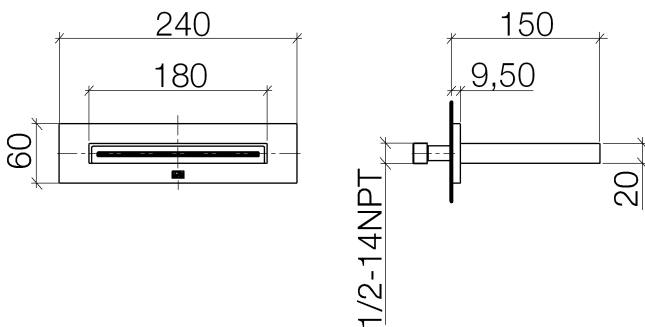
- 5-7/8" Projection
- Cascade
- Cover plate 9-1/2" x 2-3/8"
- 1/2" connection
- Plug-in connection mounting
- Water flow rate limited to max. 7 gpm
- Fittings group in compliance with DIN 4109: 2



polished chrome

Accessory is required for this item.

Dimensional drawing



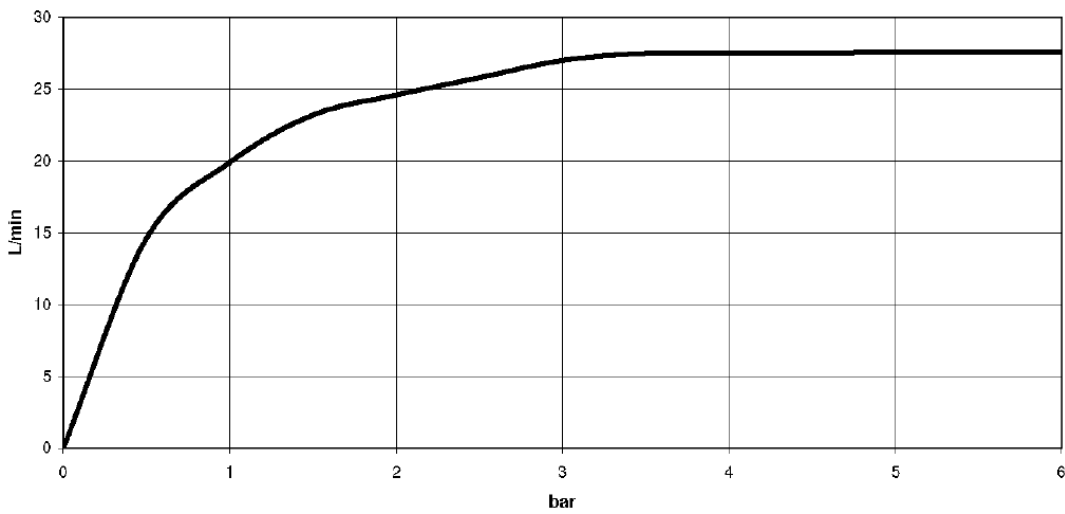
All dimensions in mm / inch = mm x 0,0394

Bathtub - CL.1

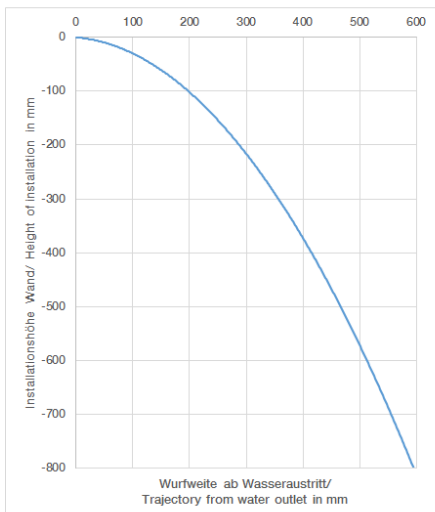
WATER SHEET Cascade spout for wall-mounted installation - polished chrome

Article number: 13 415 979-00

Flow rate chart



Trajectory length diagram





Bathtub - CL.1

WATER SHEET Cascade spout for wall-mounted installation - polished chrome

Article number: 13 415 979-00

Other surface finishes



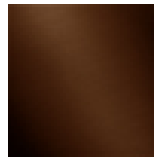
platinum matte
13 415 979-06



platinum
13 415 979-08



Dark Brass matte
13 415 979-16



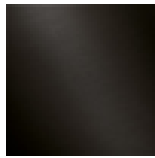
Dark Bronze matte
13 415 979-17



black matte
13 415 979-33



Cyprum
13 415 979-49



Dark Platinum matte
13 415 979-99

More custom finish options are available via special production (xTra Service). Please see our finish matrix for availability and pricing or contact a Dornbracht representative.

Required article



35 080 970-90 0010

Rough-in adapter -

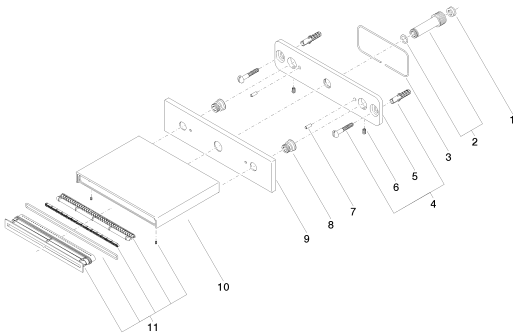


Bathtub - CL.1

WATER SHEET Cascade spout for wall-mounted installation - polished chrome

Article number: 13 415 979-00

Spare parts list



Number	Item Number	Designation	Number of units
<hr/>			